

NOTES:

- 1 TO ASSEMBLE:
 A) THREAD LOCKNUT ON PULLER AS SHOWN.
 B) THREAD PULLER IN TOOL'S END CAP.
 C) COLLAPSE PULLER AND TIGHTEN JAM NUT USING WRENCH P/N: 128817
 D) INSTALL ANVIL OVER PULLER AND THREAD INTO TOOL'S PISTON

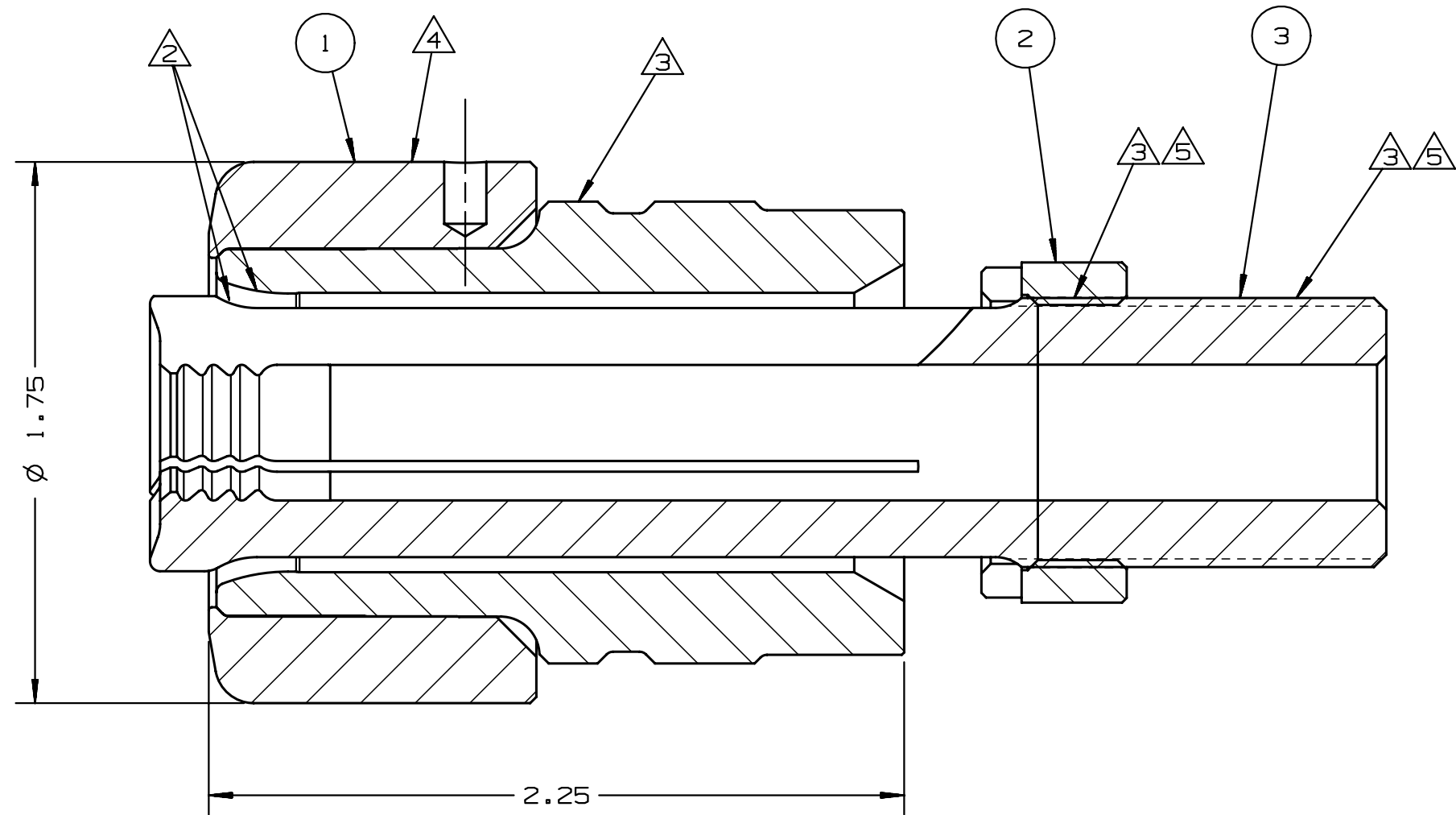
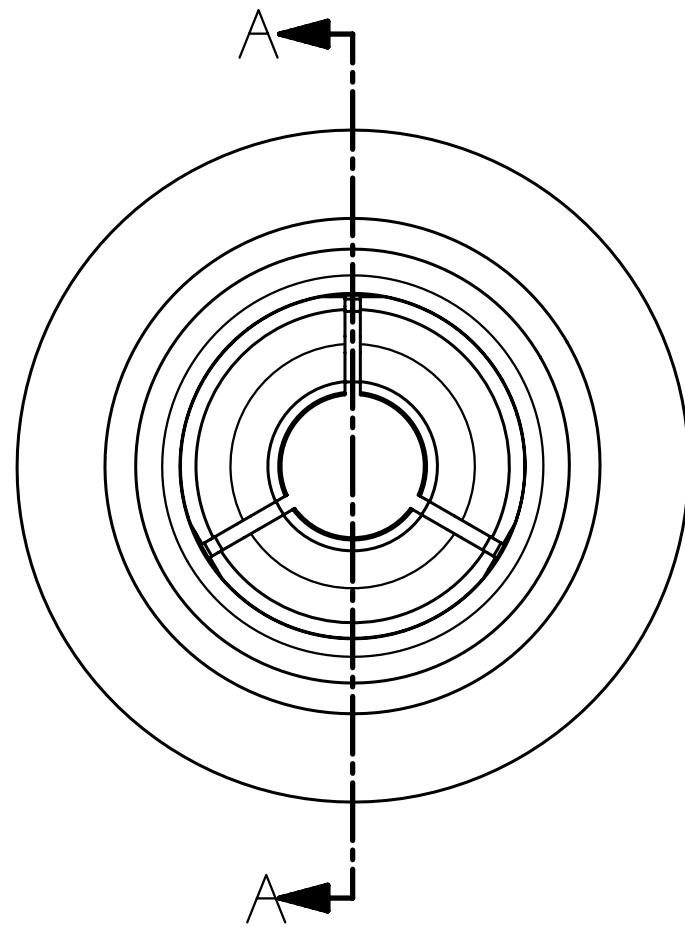
② APPLY ANTI-SEIZE LUBRICANT P/N: 508183 OR EQUIVALENT TO OUTSIDE OF PULLER AND INSIDE OF ANVIL.

③ APPLY LOCTITE 242 P/N: 505316 TO THESE THREADED JOINTS PER MFR'S INSTRUCTIONS DURING ASSEMBLY ON TOOL.

ⓔ ④ APPLY WARNING STICKER P/N: 590516 TO ANVIL

⑤ LEFT HAND THREAD

REV	DESCRIPTION	DATE
A	RELEASE	5/16/08
B	ADDED WARNING STICKER P/N:590273	7/28/08
C	WRENCH P/N 128817 WAS 128816	3/11/09
D	ADDED NOTE FOR LEFT HAND THREAD	3/11/09
E	NOTE 4 P/N 590516 WAS 590273	9/1/09



SECTION A - A

128806	1	PULLER	3
128807	1	LOCK NUT	2
128805	1	ANVIL ASSEMBLY	1
PART NO.	QTY	DESCRIPTION	ITEM

IDENTIFICATION PER SPEC 42-311: ★ PERMANENT	
ITAR:	HUCK INTERNATIONAL, INC., I.S.D.
ECCN: EAR99	NOSE ASSEMBLY, 5/8" (16MM) BOBTAIL BTT20SF TOOL
SCH B#: 8467.99.0190	DET: TRK CK: DATE: 5/16/08 SCALE: 1:1
HTS: 8467.99.0190	B 99-7881