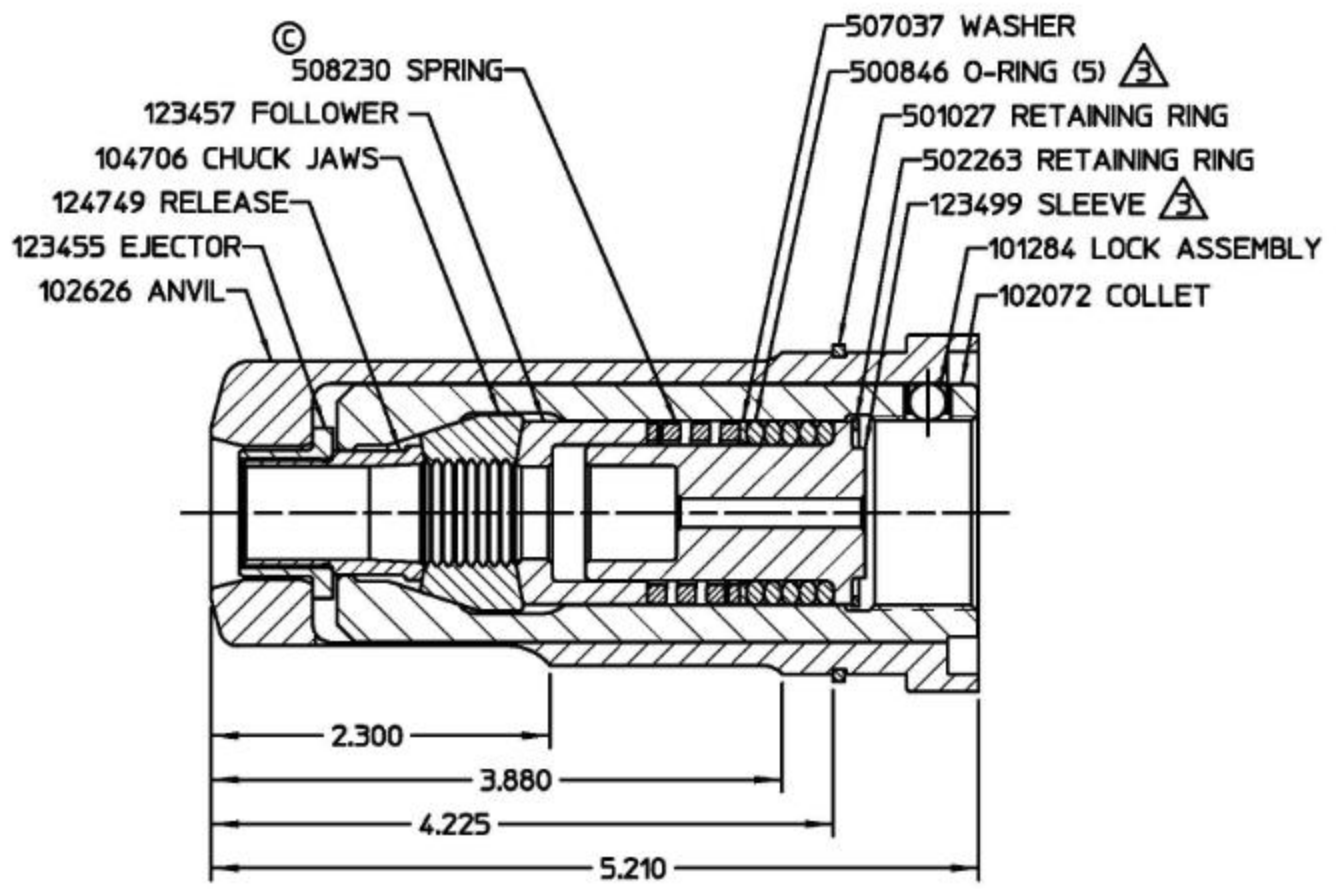
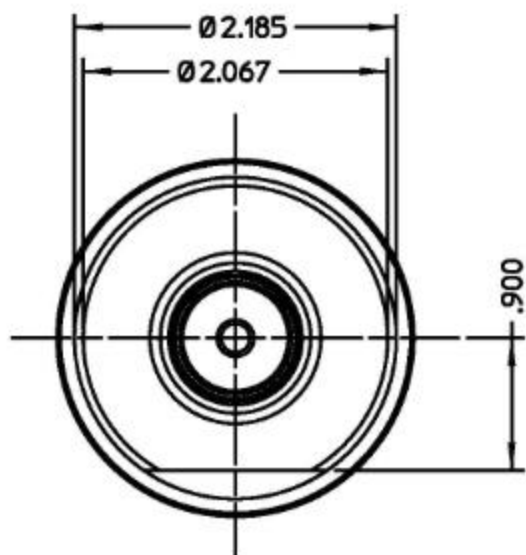


REV	DESCRIPTION	DATE
C	508230 SPRING WAS 507035 SPRING	04/23/07



NOTES:

- 1 COLLET AND LOCK ASSEMBLY 123458 CONSISTS OF:  
COLLET 102072, NOT AVAILABLE SEPARATLY  
LOCK ASSEMBLY 101284,  
RELEASE 124749,  
EJECTOR 123455.
- 2 RELEASE AND EJECTOR KIT 123459 CONSISTS OF:  
RELEASE 124749,  
EJECTOR 123455.
- △ ASSEMBLE SLEEVE AND O-RINGS PER HUCK SPEC. 42-491.
- 4 SHIP WITH CAUTION TAG 590152.
- 5 RELEASE AND EJECTOR ASSEMBLY TOOL 124751 OPTIONALLLY AVAILABLE.

HUCK INTERNATIONAL, INC., I.S.D. 85 GRAND STREET, P.O. BOX 2270 KINGSTON, NEW YORK 12401			
NOSE ASSEMBLY -20 C50L			
DET: CHR.	CK:	DATE: 04/23/07	SCALE: 2/1
FOC FAC.	B	99-5008	