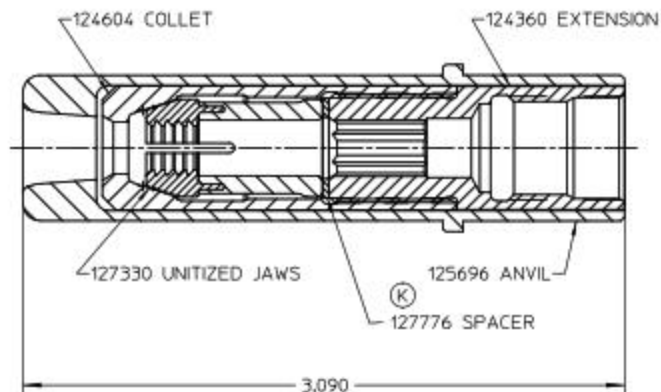
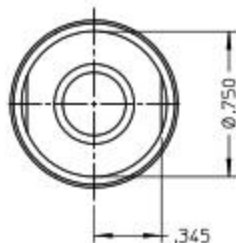


REV	DESCRIPTION	DATE
K	ADDED 12776 SPACER	05/03/05

NOTES:

- 1 SHIP WITH O-RING P/N 500778.
- 2 BEFORE ATTACHING NOSE ASSEMBLY TO TOOL, INSTALL SUPPLIED O-RING ON TO THREAD RELIEF OF PULL PISTON.



HUCK INTERNATIONAL, INC., U.S.D. 1 CORPORATE DRIVE KINGSTON, NEW YORK 12401			
NOSE ASSEMBLY -06 MG			
DET. CHR. CK.	DATE: 05/03/05	SCALE: 2/1	
FAC.	B	99-1458	