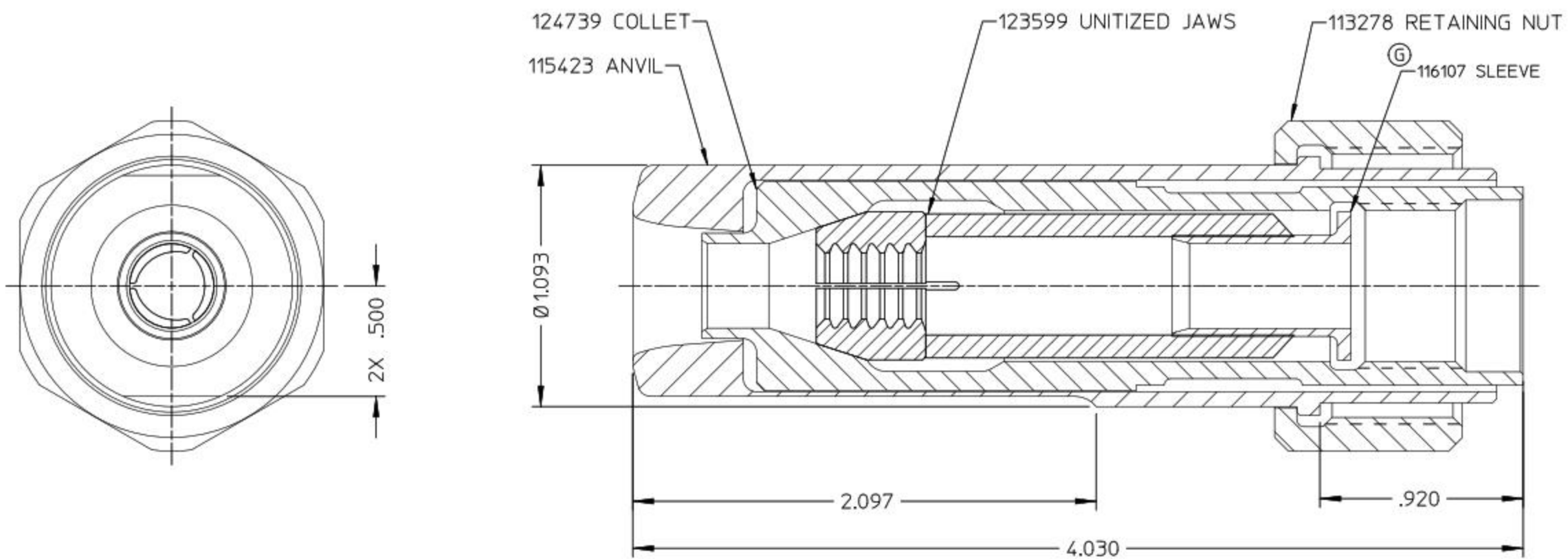


REV	DESCRIPTION	DATE
F	COLLET 124739 REPLACED COLLET 114258, AND LOCK COLLAR 89795	07-31-95
G	ADDED 116107	07/09/03



FORM: KE104 REV C		By accepting this proprietary Huck drawing, recipient agrees not to reproduce or disclose any part thereof to any others without the written permission of Huck International, Inc.	
MATERIAL:	-	SPEC:	TOLERANCES UNLESS OTHERWISE SPECIFIED: (ALL DIMENSIONS ARE IN INCHES)
HARDNESS:	-	(RAW OR STOCKED STATE)	
HEAT TREAT TO:	-	SPEC:	.XX, .XXX ±
SURFACE TREAT:	-	SPEC:	INT. COR. RADII
SURFACE FINISH NOT TO EXCEED: Ra		BREAK EDGES	-
IDENTIFICATION PER SPEC 42-311: ★ ETCH		ANGLES ±	-
SURFACES TO BE ☉, //, ⦶, ⊥, & □ WITHIN T.I.R.		FINAL ASSY:	
		DET: SMR CK:	DATE: 07-31-95 SCALE: 2/1
		FOC. FAC.	B 99-1440

HUCK INTERNATIONAL, INC., I.S.D.
85 GRAND STREET, P.O. BOX 2270
KINGSTON, NEW YORK 12401

NOSE ASSEMBLY
-12 MG

B 99-1440