

Max. tensile strength 6.000 N, working load max. 4.200 N, see footnotes.

Adjustable drawhook

Available with secondary lock, hasp and lift spring

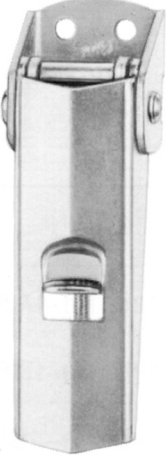
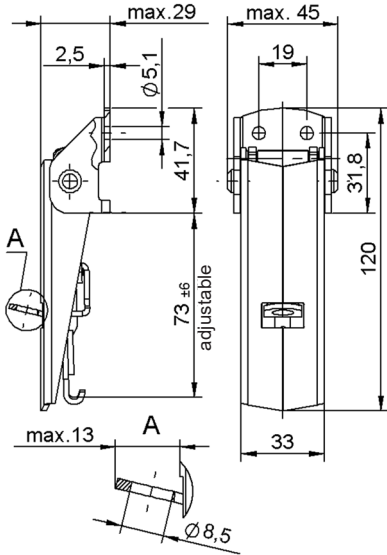
Style	Dimensions	Materials / Finish	Mounting Type <sup>1)</sup>	D	Part No.
		Steel / zinc-plated, CrVI-free, clear passivation <sup>2)</sup>	N	5,1	<b>V18L01-1-1AGV</b>
		Stainless steel <sup>3)</sup>	N	5,1	<b>V18L01-1-1BP</b>
		Stainless steel <sup>3)</sup>	S	-	<b>V18L01-1-2BP</b>
<b>With secondary lock</b> 		Steel / zinc-plated, CrVI-free, clear passivation <sup>2)</sup>	N	5,1	<b>V18L01-1X1AGV</b>
		Stainless steel <sup>3)</sup>	N	5,1	<b>V18L01-1X1BP</b>
		Stainless steel <sup>3)</sup>	S	-	<b>V18L01-1X2BP</b>

<sup>1)</sup> Mounting type: N = With hole for riveting or screw fixing

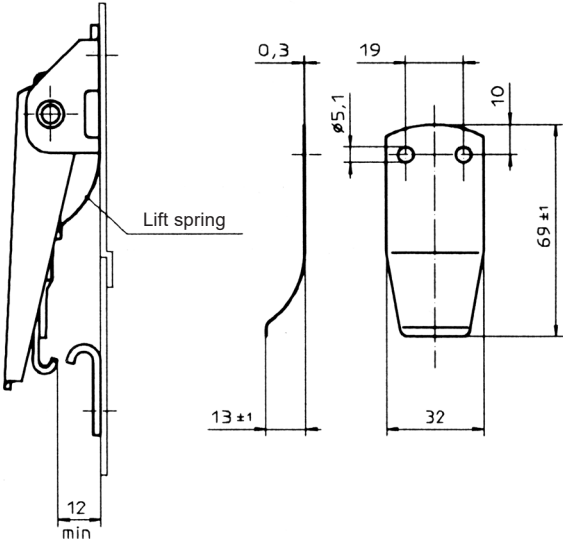
S = Without holes, for welding

<sup>2)</sup> Max. tensile strength: 6.000 N with V18L13-1-1AA strike, working load 4.200 N.


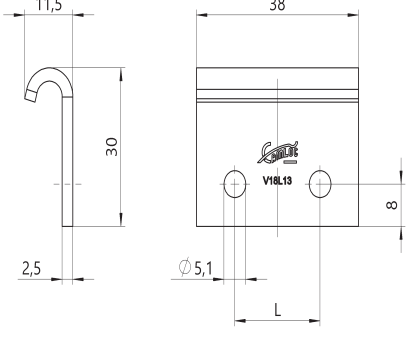

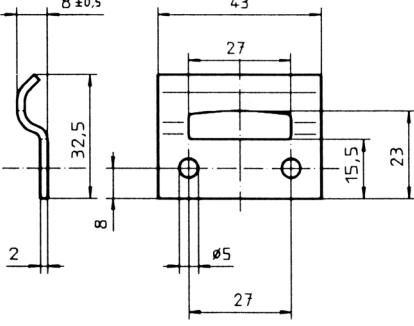
<sup>3)</sup> Max. tensile strength: 4.600 N with V18L13-1-\*BF or 1449L07-1BP strike, working load 3.100 N.

Style	Dimensions	Materials / Finish	Mounting Type <sup>1)</sup>	D	Part No.
<p><b>Hasp</b></p> 		Steel / zinc-plated, CrVI-free, clear passivation <sup>2)</sup>	N	5,1	<b>V18L01-1Y1AGV</b>

**Accessories**

Dimensions	Materials / Finish	Mounting Type <sup>1)</sup>	D	Part No.
<p><b>Lift spring</b></p> 	Stainless steel	N	5,1	<b>V18L45-1BP</b>

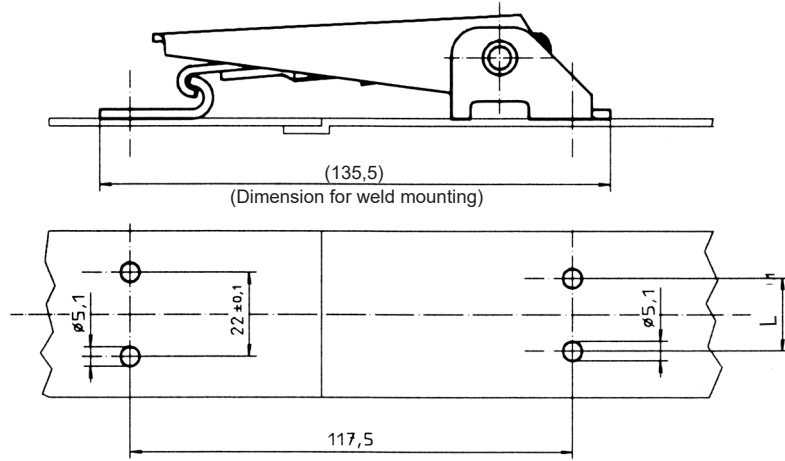
For footnotes refer to page H-1.

Style	Dimensions	Materials / Finish	L	Mounting Type <sup>1)</sup>	D	Part No.
<b>Open</b>  		Steel / zinc-plated, iridescent passivated and sealed	22	N	5,1	<b>V18L13-1-1AGV</b>
		Steel / zinc-plated, iridescent passivated and sealed	19	N	5,1	<b>V18L13-1-3AGV</b>
		Stainless steel	22	N	5,1	<b>V18L13-1-1BP</b>
		Stainless steel	-	S	-	<b>V18L13-1-2BP</b>
<b>Closed</b>  		Stainless steel		N	5,0	<b>1449L07-1BP</b>

For footnotes refer to page H-1.

Dimensions

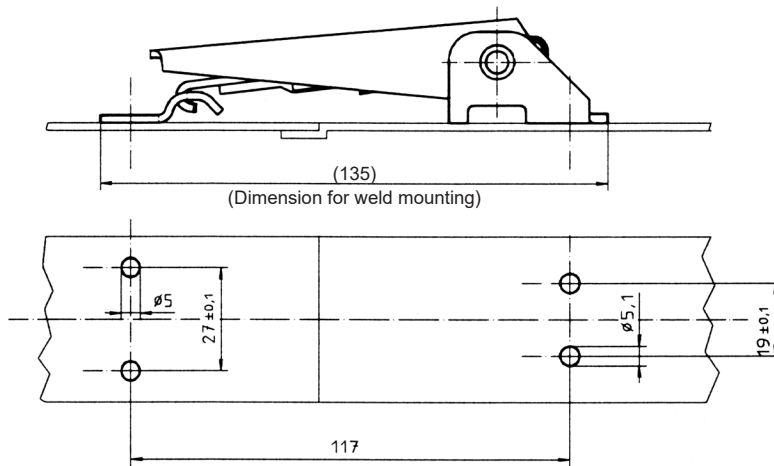
**Tension latch / open strike**



V18L01-\*

V18L13-\*

**Tension latch / closed strike**



V18L01-\*

1449L07-\*