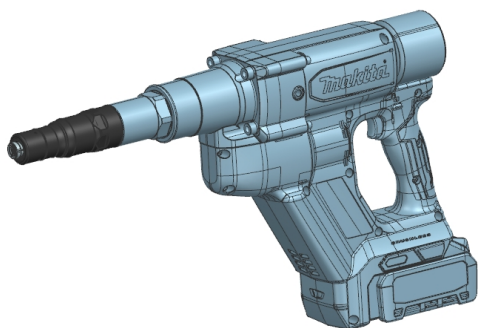


INTRODUCING THE NEW NOSE ASSEMBLY FOR 1/2" BOMTAIL® & M12 BOMTAIL®



Drawing of a nose assembly for BOMtail on a BV17-177 tool

PART NUMBER: 99BT-M12-IRBV-XC

DETAILS

Improved cap on nose assembly:

- Extended cap life versus outgoing 99BT-M12-IRBV-X
- Reduces spare parts usage of cap 132308

TOOL COMPATIBILITY

PART NUMBER	TOOL DESCRIPTION
BV13-177	M12 Bobtail® only
BV17-177	M12 Bobtail® or 1/2" BOMtail®

COMPONENTS DRAWING

