

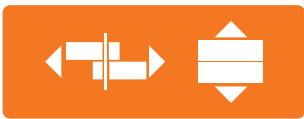
HUCK 12.7mm Magna-Lok®

A Giant Amongst Blind Fasteners



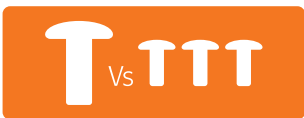
**SHEAR
60% INCREASE
TENSILE
57% INCREASE**
IN COMPARISON TO R12
MAGNA-LOK

BENEFITS



HUGE SHEAR (44.4 kN) AND TENSILE (31.1 kN) STRENGTH*

High resistance to joint failure
*Minimum values shown



FEWER FASTENERS NEEDED

Large size has the potential to allow the reduction of fasteners required

COMBINED WITH ALL THE BENEFITS OF USING A HUCK MAGNA-LOK®



WIDE GRIP RANGE

Accommodates large variations in joint thickness



EXCELLENT GAP CLOSURE CAPABILITY



FLUSH PINBREAK

No catching on clothes, skin or goods. Quick and easy visual inspection



INTERNAL PIN LOCKING MECHANISM

Secure within the rivet body and protected from corrosion



OUTSTANDING HOLE FILLING ON THE BLIND SIDE

STRENGTH, GRIP RANGE AND HOLE DIMENSION INFORMATION

Material	Product Code	Head Style	Min. Grip (mm)	Max. Grip (mm)	Min. Shear (kN)	Min. Tensile (kN)	Min. Pin Retention (kN)	Min. Hole Dia (mm)	Max. Hole Dia (mm)
Steel	MGLP-R16-12	Protruding	4.06	19.05	44.4	31.1	4.5	13.49	14.3
Steel	MGL100-R16-12	Countersunk	10.03	19.05	44.4	31.1	4.5	13.49	14.3
Aluminium	MGLP-B16-12	Protruding#	4.06	19.05	22.06	18.2	1.7	13.49	14.3

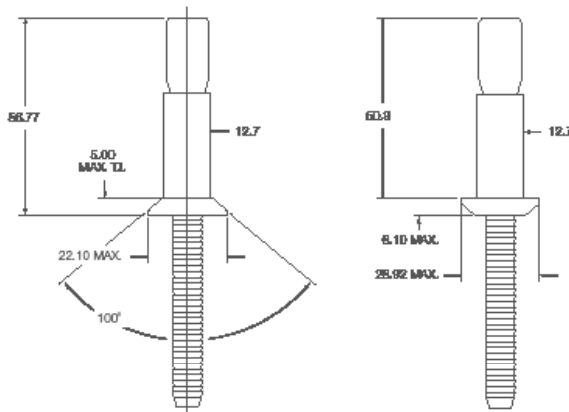
#Special head design available in Aluminium version

MATERIAL AND COATINGS

Material	Coating
Steel	Zinc Plate/Clear Chromate
Aluminium	Clear Chromate

TOOLING REQUIRED

Material	Tool	Nose Assembly	Powerig	Hose Set
Steel	2620-PT	99-3331	HK32-002	HS-10-MCE
Aluminum	2503	99-3330	HK32-002	HS-10-MCE



Disclaimer
*Individual fastener benefits will vary depending on the application they are used in. Please discuss with your HFS Customer Manager prior to fastener choice. The information contained in this publication is only for general guidance with regard to properties of the products shown and/or the means for selecting such products, and is not intended to create any warranty, express, implied, or statutory; all warranties are contained only in HFS's written quotations, acknowledgements, and/or purchase orders. It is recommended that the user secure specific, up-to-date data and information regarding each application and/or use of such products.

