



## Features

Max. tensile strength 700 N, working load 600 N.

Easy and economic clip-in installation for stud and receptacle.

Also suitable for automatic installation.

1/4 turn to open - close by a push of the finger.

Due to their small size they are particularly suited for use in electrical engineering and electronics.

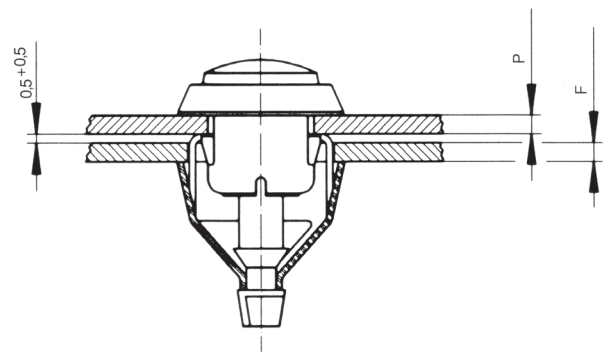
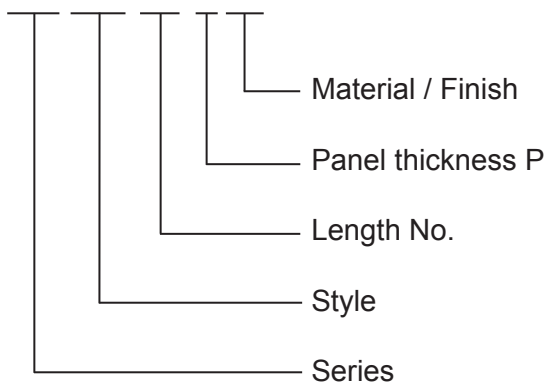
## Selection Instructions

1. Select stud assembly according to panel thickness P, page L-2 and spring clip according to frame thickness F, page L-3.
2. Select stud length number from panel thickness G using the table below, insert into stud part number \* (e.g. 715S12-\* -1BP).

## Part no. example

Stud, slotted recess head


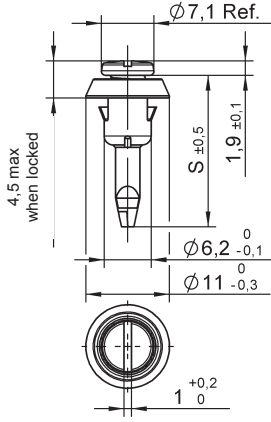

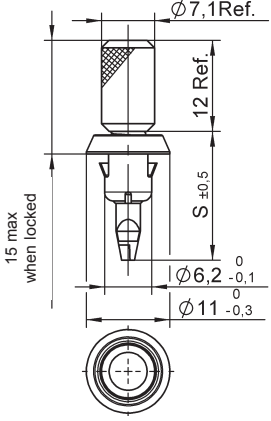
### 715 S12 -07 -3BP



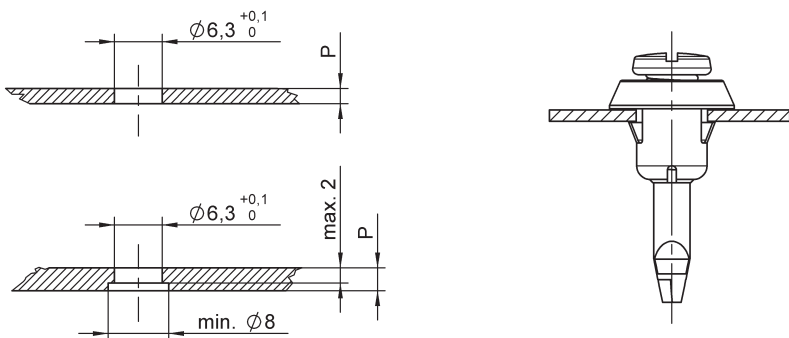
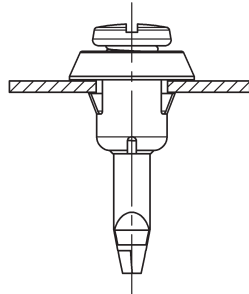
## Stud Length Table


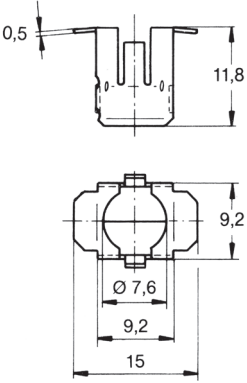
Panel Thickness P	Slotted Recess Head Stud Length No.	Knurled Head Stud Length No.	Panel Thickness P	Slotted Recess Head Stud Length No.	Knurled Head Stud Length No.
0,50 - 1,25	5	5	6,50 - 7,25	13	-
1,25 - 2,00	6	6	7,25 - 8,00	14	-
2,00 - 2,75	7	7	8,00 - 8,75	15	-
2,75 - 3,50	8	8	8,75 - 9,50	16	-
3,50 - 4,25	9	9	9,50 - 10,25	17	-
4,25 - 5,00	10	10	10,25 - 11,00	18	-
5,00 - 5,75	11	-	11,00 - 11,75	19	-
5,75 - 6,50	12	-	11,75 - 12,50	20	-

Other lengths on request.

Style	Dimensions	Materials / Finish	Panel Thickness P	°C	Part No.
<b>Slotted Recess Head</b>  	 <p>S = 13,25 + (0,75 x length no.)</p>	Stainless steel Spring cup: Plastic (POM) / black	0,5 - 1,0	-25 up to +90	<b>715S12- *-1BP</b>
			1,0 - 1,5		<b>715S12- *-2BP</b>
			1,5 - 2,0		<b>715S12- *-3BP</b>
<b>Knurled Head</b>  	 <p>S = 13,25 + (0,75 x length no.)</p>	Stainless steel Spring cup: Plastic (POM) / black	0,5 - 1,0	-25 up to +90	<b>715S13- *-1BP</b>
			1,0 - 1,5		<b>715S13- *-2BP</b>
			1,5 - 2,0		<b>715S13- *-3BP</b>

## Stud Installation Instructions

Installation Dimensions	
Panel up to 2 mm	
Panel over 2 mm	
	

Style	Dimensions	Materials / Finish	Frame Thickness F	°C	Part No.
<b>Receptacle</b>  		Stainless steel	0,5 - 1,0	-25 up to +90  (See stud assembly)	<b>715R02-1BP</b>
			1,0 - 1,5		<b>715R02-2BP</b>
			1,5 - 2,0		<b>715R02-3BP</b>
			2,0 - 2,5		<b>715R02-4BP</b>

## Installation Instructions

Installation Dimensions	
