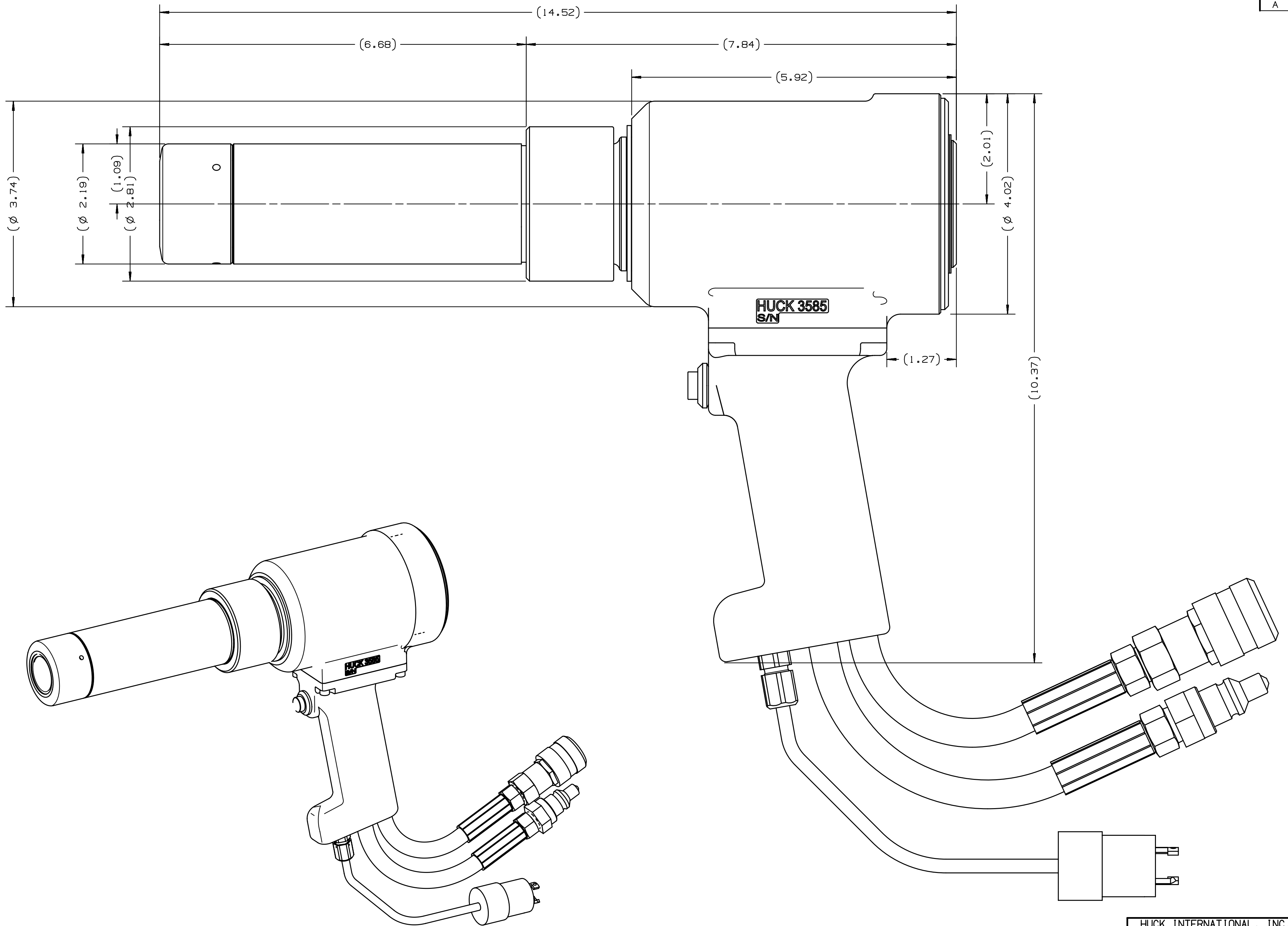


REV	DATE
A	12/04/14



HUCK INTERNATIONAL, INC., I.S.D
 1 CORPORATE DR
 KINGSTON, NEW YORK 12401

3585 TOOL & 99-7836

FINAL ASSY: 3585

ENG: - DK: - DATE: - SCALE: 3/4:1

C 3585_99-7836_CLR-DIM