
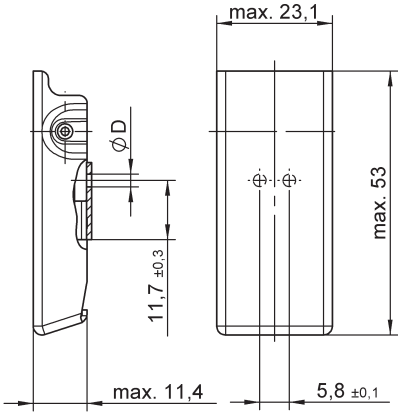
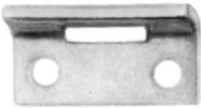
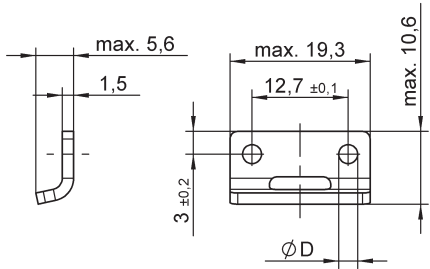




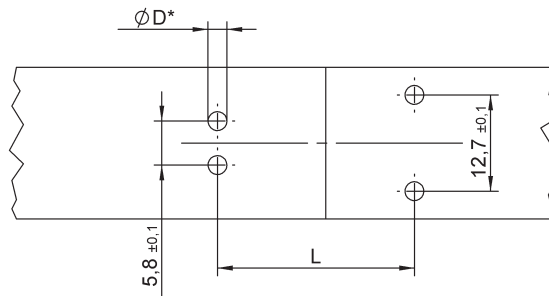
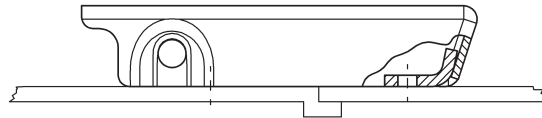
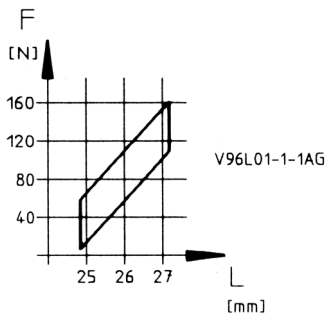
Max. tensile strength 1.000 N, working load 650 N.  
Handle conceals all interior parts and strike  
Self-compensating spring steel drawhook  
Low profile

Style	Dimensions	Materials / Finish	D	Part No.
<b>Self-compensating spring steel drawhook</b>  		Steel / zinc-plated, CrVI-free, clear passivation	2,5	<b>V96L01-1-1A0</b>
			3,2	<b>V96L01-1-2A0</b>
		Steel / chrome-plated Interior parts: Steel / zinc-plated, CrVI-free, clear passivation	2,5	<b>V96L01-1-1AG</b>
			3,2	<b>V96L01-1-2AG</b>

## Strike

Style	Dimensions	Materials / Finish	D	Part No.
		Steel / zinc-plated, CrVI-free, clear passivation	2,5	<b>V96H01-1-1A0</b>
			3,2	<b>V96H01-1-2A0</b>

Dimensions



\* Ø D see selected version.