
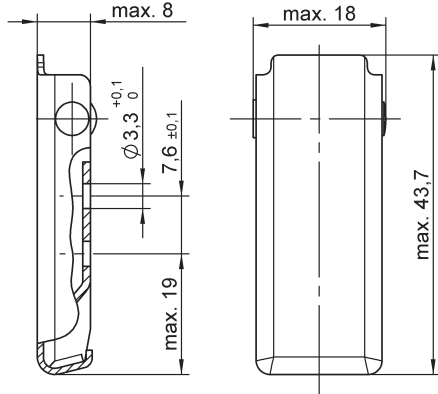

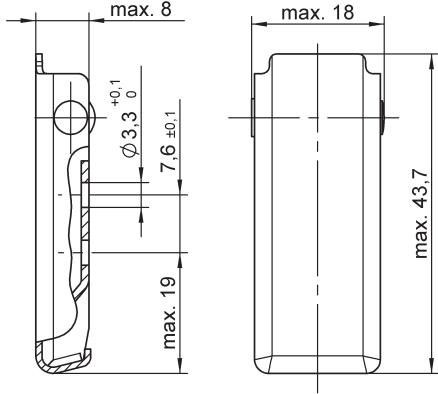
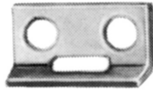
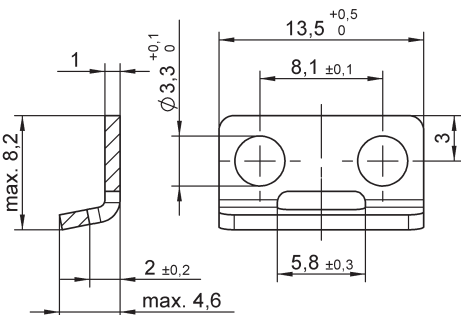




Max. tensile strength 445 N, working load 220 N  
 Handle conceals all interior parts and strike  
 Self-compensating spring steel drawhook  
 Low profile

Style	Dimensions	Materials / Finish	Part No.
<p><b>Self-compensating spring steel drawhook</b></p> 		Stainless steel	<b>V95L07-1-1BC</b>
<p><b>Self-compensating spring steel drawhook</b></p> 		Steel / chrome-plated Interior parts: Steel / zinc-plated, CrVI-free, clear passivation	<b>V95L15-1BD</b>

## Strike

Style	Dimensions	Materials / Finish	Part No.
		Stainless steel	<b>V95H07-1-1BP</b>

Dimensions

**Spring steel drawhook tension latch / strike**

