



Features

Max. tensile strength 700 N, working load 600 N.

Easy and economic clip-in installation for stud and receptacle.

Also suitable for automatic installation.

1/4 turn to open - close by a push of the finger.

Due to their small size they are particularly suited for use in electrical engineering and electronics.

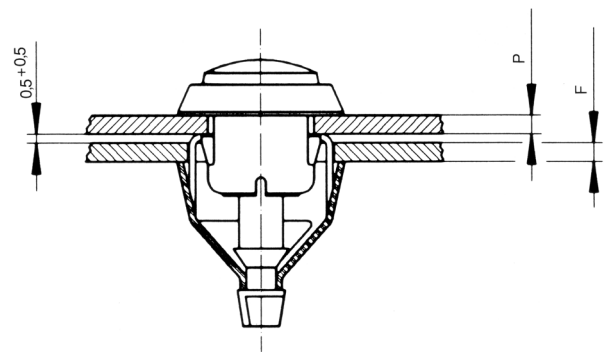
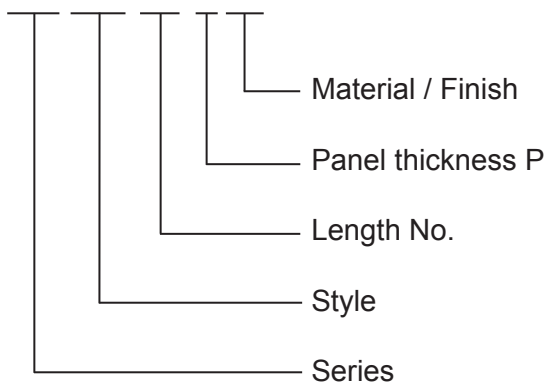
Selection Instructions

1. Select stud assembly according to panel thickness P, page L-2 and spring clip according to frame thickness F, page L-3.
2. Select stud length number from panel thickness G using the table below, insert into stud part number * (e.g. 715S12-* -1BP).

Part no. example

Stud, slotted recess head


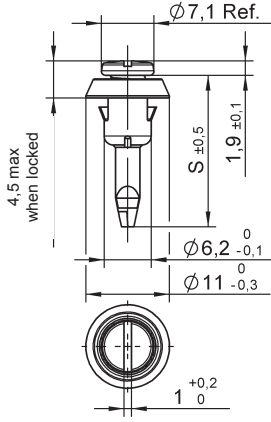

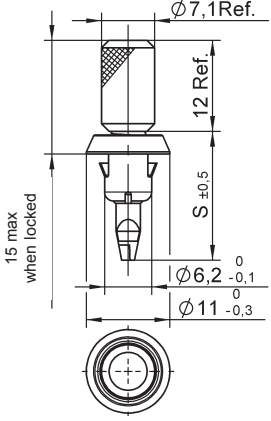
715 S12 -07 -3BP



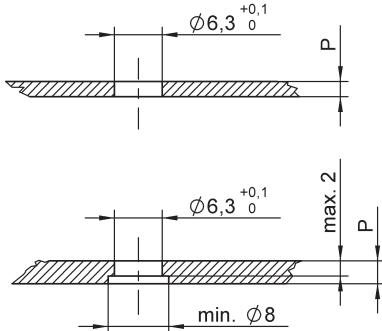
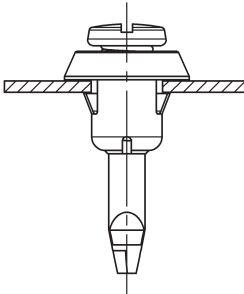
Stud Length Table


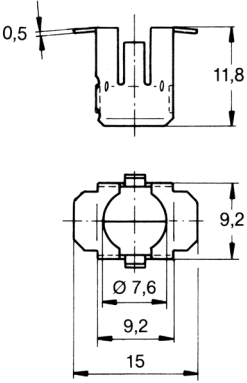
Panel Thickness P	Slotted Recess Head Stud Length No.	Knurled Head Stud Length No.	Panel Thickness P	Slotted Recess Head Stud Length No.	Knurled Head Stud Length No.
0,50 - 1,25	5	5	6,50 - 7,25	13	-
1,25 - 2,00	6	6	7,25 - 8,00	14	-
2,00 - 2,75	7	7	8,00 - 8,75	15	-
2,75 - 3,50	8	8	8,75 - 9,50	16	-
3,50 - 4,25	9	9	9,50 - 10,25	17	-
4,25 - 5,00	10	10	10,25 - 11,00	18	-
5,00 - 5,75	11	-	11,00 - 11,75	19	-
5,75 - 6,50	12	-	11,75 - 12,50	20	-

Other lengths on request.

Style	Dimensions	Materials / Finish	Panel Thickness P	°C	Part No.
Slotted Recess Head 	 <p>S = 13,25 + (0,75 x length no.)</p>	Stainless steel Spring cup: Plastic (POM) / black	0,5 - 1,0	-25 up to +90	715S12- *-1BP
			1,0 - 1,5		715S12- *-2BP
			1,5 - 2,0		715S12- *-3BP
Knurled Head 	 <p>S = 13,25 + (0,75 x length no.)</p>	Stainless steel Spring cup: Plastic (POM) / black	0,5 - 1,0	-25 up to +90	715S13- *-1BP
			1,0 - 1,5		715S13- *-2BP
			1,5 - 2,0		715S13- *-3BP

Stud Installation Instructions

Installation Dimensions	
Panel up to 2 mm	
Panel over 2 mm	
	

Style	Dimensions	Materials / Finish	Frame Thickness F	°C	Part No.
Receptacle 		Stainless steel	0,5 - 1,0	-25 up to +90 (See stud assembly)	715R02-1BP
			1,0 - 1,5		715R02-2BP
			1,5 - 2,0		715R02-3BP
			2,0 - 2,5		715R02-4BP

Installation Instructions

Installation Dimensions	
