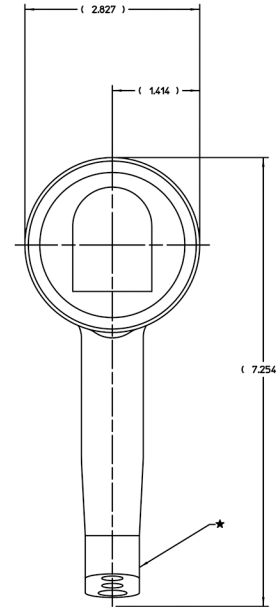
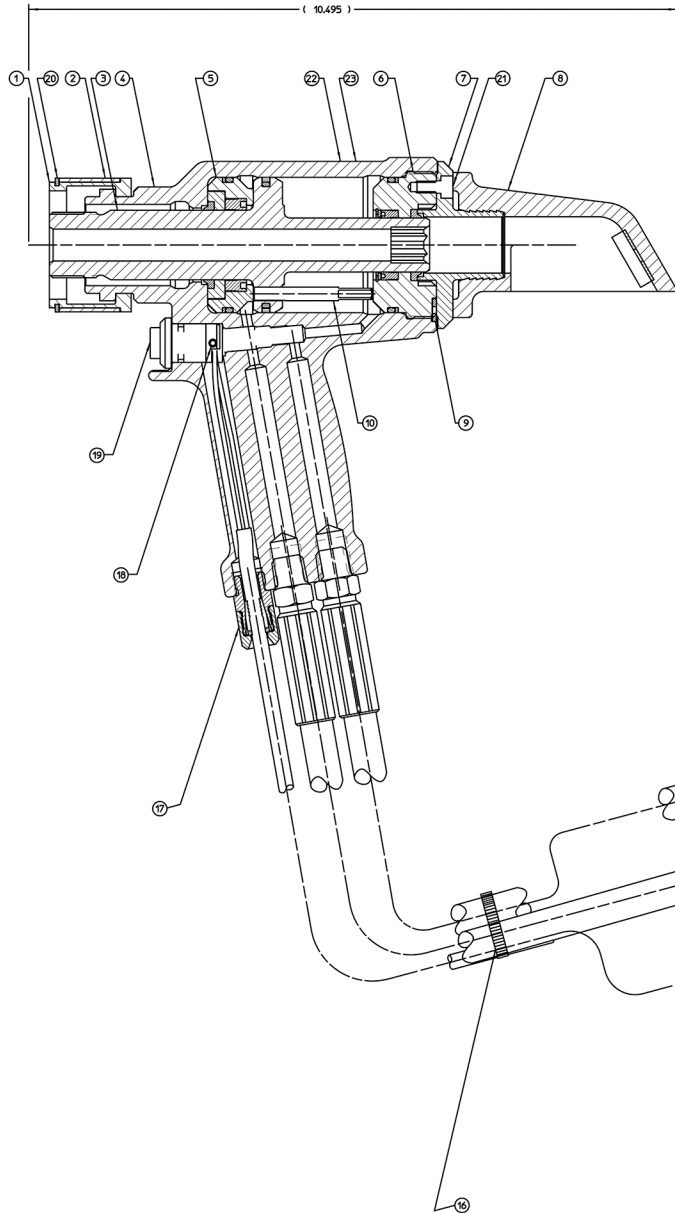
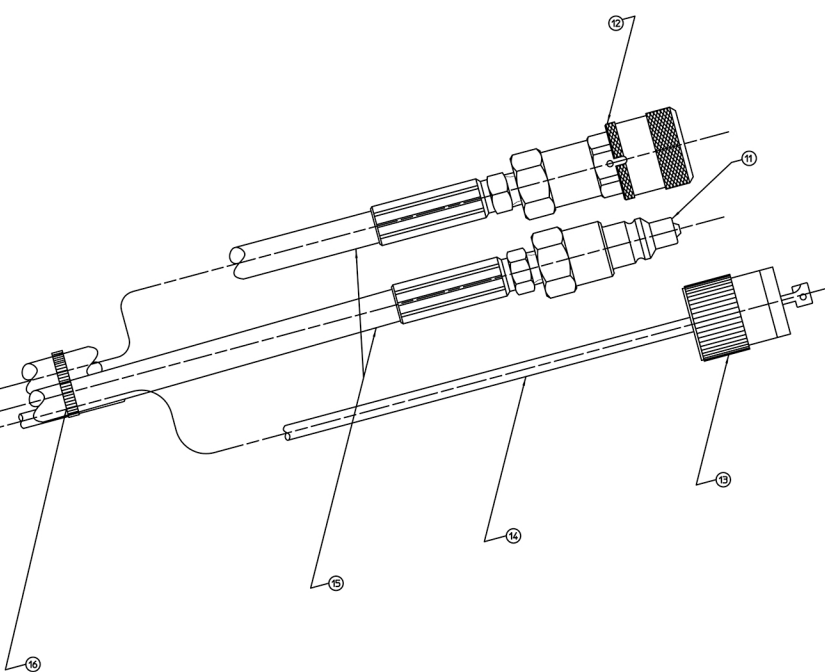


REV	DESCRIPTION	DET	DATE
P	UPDATED BORDER	JJC	01/08/18
R	CORRECTED LN ROW	HKS	10/15/18
S	CGW02-13 PER WAS 1 PER ELN ONLY	JJC	02/26/19
T	HPHY02-BC01 CD WAS 22607-1 CD	JJC	12/05/19
U	REMOVE 50228 REDUCING RUSHINGS FROM HOSES CORRECTED BALLOON CALLOUTS	CHR	03/27/20



NOTES:

- 1 STROKE: 1.437 INCHES  
PULL CAPACITY AT 6500 PSI: 17.745 LBS  
WEIGHT: 9 LBS 14 OZ.
- 2 SERVICE KIT 2620KIT AVAILABLE.
- 3 ASSEMBLE AND TEST PER HUCK SPEC. 42-571.
- 4 ASSEMBLY TOOL KIT 123110-6, OPTIONALLY AVAILABLE, CONSISTS OF:  
GLYD RING INSERTION TOOL 121694-2620,  
PISTON ASSEMBLY TOOL 123111-6 AND  
SPACER 123112-6.
- 5 SHIP WITH END CAP HEX KEY 126981.
- 6 REMOTE TRIGGER PART# 123381-24  
OPTIONALLY AVAILABLE



126981	1	HEX KEY (SEE NOTE 5)	24
590517	1	TRADEMARK & YEAR STICKER	23
590512-5	1	CE & WARNING STICKER	22
500060	3	SCREW	21
501514	1	RETAINING RING	20
120361	1	TRIGGER	19
501731	1	SET SCREW	18
505344	1	STRAIN RELIEF	17
505839	1	CABLE TIE	16
HPHY02-BC01	2	HOSE ASM, 10KSI, 1/4"X3/8", 2'	15
123337-1	1	CONTROL CORD	14
106486	1	MALE ELECTRICAL CONNECTOR	13
110439	1	FEMALE QUICK CONNECT	12
110438	1	MALE QUICK CONNECT	11
125616	1	DUMP VALVE	10
122764	1	LOCKING DISC	9
122764	1	PIN/AL DEFLECTOR	8
125765	1	BARBED RETAINER	7
125764	1	END CAP ASSEMBLY	6
125611	1	FRONT GLAND ASSEMBLY	5
124152	1	CYLINDER ASSEMBLY	4
125762	1	PISTON - GLYD RING ASSEMBLY	3
102148	1	SLEEVE	2
102147	1	SPLIT RING	1
PART NO   QTY   DESCRIPTION			ITEM
IDENTIFICATION PER SPEC			HUCK INTERNATIONAL, INC. LSD, 1 CORPORATE DRIVE LONGSTON, MA 01061 12401
ITAR/ECON	EAR99	2620-PT	
SCH B#:	8457.89.5090	HLT PASS THRU	
HTS#:	8457.89.5090	DATE: 01/08/18	SCALE: 1:1
		DOC	
		FAC.	2620-PT