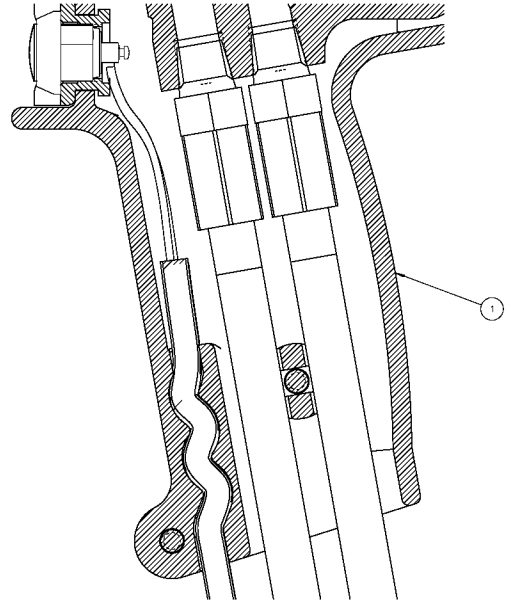
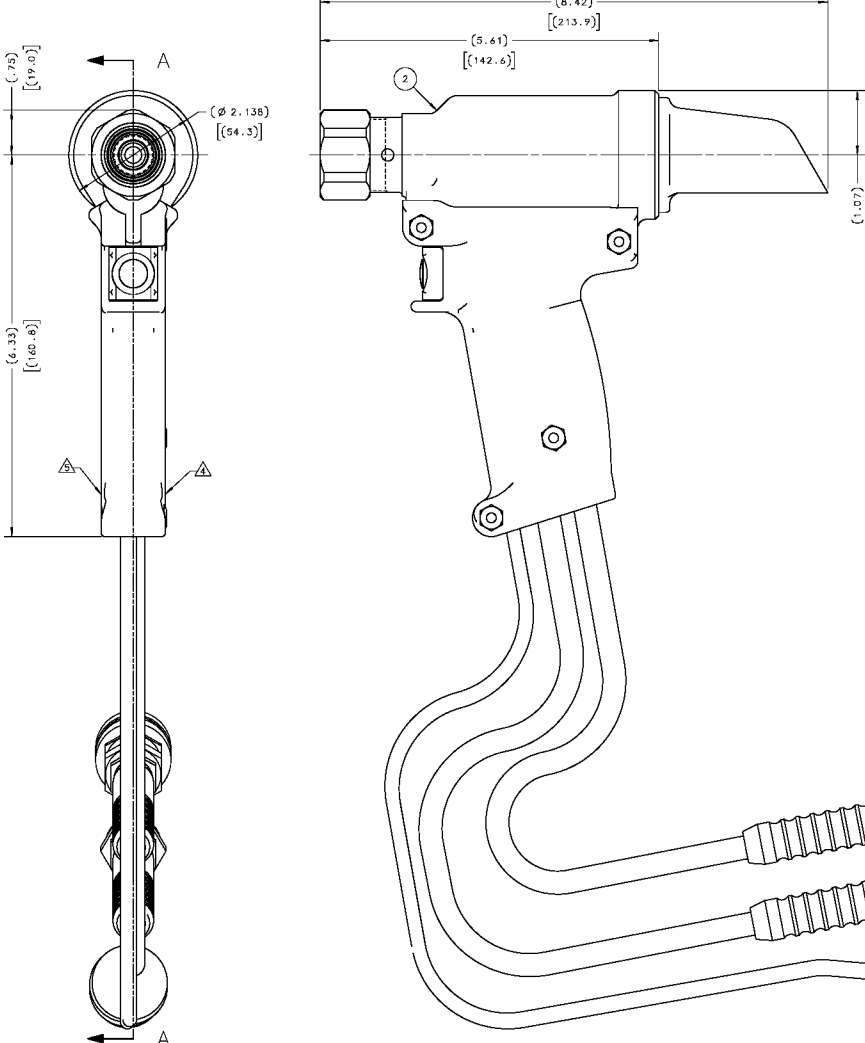
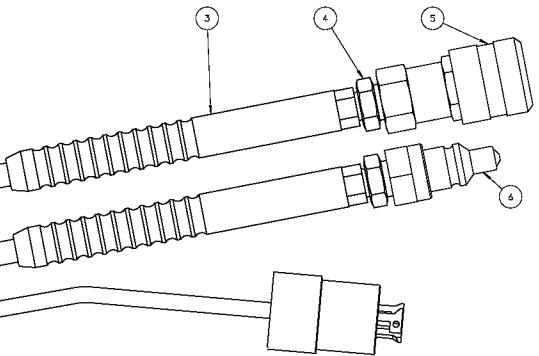
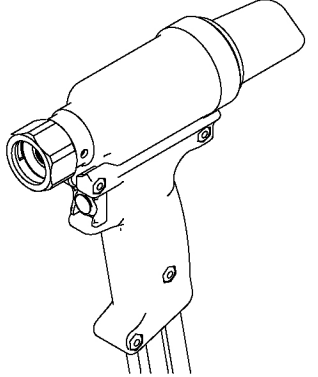


- NOTES:
- TOOL CAPACITY
STROKE: .837 INCHES NOMINAL (21.6 mm)
MAX PULL PRESSURE: 6400 PSI (580 BAR)
MAX RETURN PRESS: 3200 PSI (280 BAR)
PULL CAPACITY AT 5700 PSI (503 BAR): 8240 LBS (36.7 kN)
PULL CAPACITY AT 7400 PSI (650 BAR): 10700 LBS (47.6 kN)
PULL CAPACITY AT 6400 PSI (580 BAR): 12200 LBS (54.8 kN)
 - ASSEMBLE AND TEST PER HUCK SPEC 42-571
 - SERVICE KIT 2581KIT AVAILABLE
 - ETCH MODEL NUMBER 2581 IN 1/4 INCH HIGH CHARACTERS IN THIS AREA.
 - ETCH LETTERS "S/N" FOLLOWED BY SERIAL NUMBER IN 3/16 INCH HIGH CHARACTERS IN THIS AREA.
 - ASSEMBLY TOOL KIT 123110-1 IS AVAILABLE CONSISTING OF:
R-10 RING INSERTION TOOL 121694-2500, (1)
PISTON ASSEMBLY TOOL 123111-1, (1)
SPACER 123112-1, (1)
 - REMOTE TRIGGER PART #123381-24 OPTIONALY AVAILBLE.
 - BIND HOSES AND CONTROL CORD TOGETHER USING ELECTRICAL TAPE, STARTING AT APPROXIMATELY 8" FROM ELECTRIC TRIGGER ASSEMBLY (ITEM 1) SPACE BANDS OF TAPE AT 2 FT. INTERVALS.



PARTIAL SECTION A-A



REV	DESCRIPTION	DET	DATE
A	RELEASE	HKG	7/7/10
B	ADDED ITEM 31 (501107) & 32 (500064)	HKG	4/18/12
C	UPDATED MARKINGS TO CURRENT CE STANDARD	MJK	09/28/13
D	MODULARIZE TOOL, ADD -2, -25, & -38 VERSIONS TO DRAWING	EL	08/18/14
E	ADDED 2581-500	NDG	03/08/15
F	ADDED 2581-750	HKS	7/28/15
G	ADDED PULL CAPACITY AT 6400 PSI 12200 LBS TO NOTE 1.	JJC	08/08/17
H	HANDLE ASSY 131483 WAS 130610-HOSE ASSY WPK-AA10 WAS 124861-, ADD NOTES B & I	EL	10/12/18
J	ADD 2581-17 AT REV. A WITH 17 FT. REGULAR HOSES, ADD HANDLE ASSY WITH 213" CABLE 131483-10	EL	08/13/19
K	2581-17, REV. B WAS REV. A	EL	02/22/21
L	ADD NOTE B	EL	05/11/21
M	DESIGNED 2581-2, 2581-25, 2581-38, AND 2581-750; REORDERED NOTES REWRITE NOTE 1; ADDED DUAL DIMS	RAB	09/23/24
N	131483-5 WAS 131483-10	HKG	07/14/25

QTY	DESCRIPTION	ITEM
1	MALE CONNECTOR	6
1	FEMALE CONNECTOR	5
2	REDUCING BUSHINGS	4
2	HYDRAULIC HOSES	3
1	ASSEMBLY, CYLINDER	2
1	HANDLE, ASM 2581/2582/2583	1
1	QTY DESCRIPTION	ITEM
REV. C	REV. B	REV. E

IDENTIFICATION PER SPEC 42-3111 ★ △ △
 HUCK INTERNATIONAL, INC., U.S.O. CORPORATION
 KINGSTON, NH 03849 (249)
 ITAR/ECCN: EAR99 HYDRAULIC INSTALLATION TOOL
 MODEL 2581
 SCH B#: 8467.89.5000 FINAL ASSY: -
 on: N03 (m) rev: 7/7/10 (m) (m) 11
 HTS: 8467.89.5000 **D** 2581-DASH